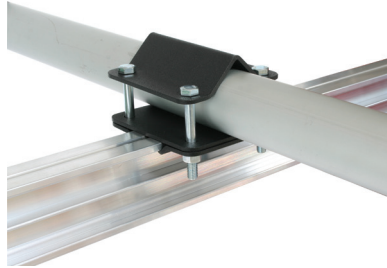
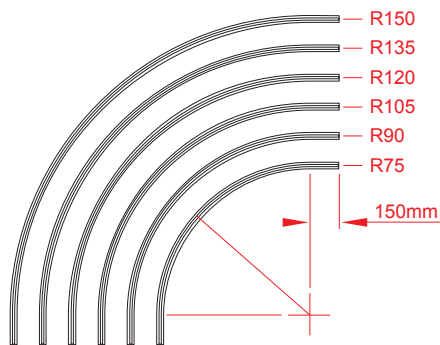


Suspension Systems

Doughty Studio Rail



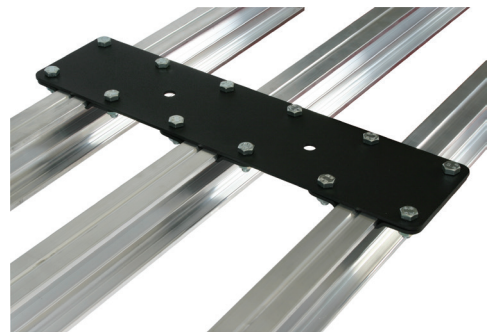
Studio Rail by Doughty is a moving rail suspension system for the overhead suspension of lighting and associated equipment in all types of small to medium studios. Anything from a small link studio to a full broadcast installation is possible with this versatile, modular system. Luminaires are suspended from rolling carriages, either directly or via a fixed or adjustable hanger. The rail, which carries the lighting fixture(s), is similarly carried on rolling carriages on fixed rails suspended from the ceiling structure. Special carriages, which carry the power and control cables to the luminaires, follow automatically. Thus it is possible to reposition a luminaire in three dimensions above a set in seconds, without the need for ladders or time-consuming re-cabling. The system includes straight and curved rails and accommodates cycloramas and photographic backgrounds, and integrates with existing or new 48mm (scaffold size) pipe grids. We offer a full advisory service ranging from small system design up to a full design, specification and installation service with operator training, on a world-wide basis. No matter how small (or large) your requirement is, we can provide the necessary equipment and expertise to assist you. For all tracking part numbers see Price List



Radii measured to centre of rail allowing 150mm rail centres with multiple rail systems.

Each curve has a 150mm straight lead in to aid assembly.

Special curves available on request



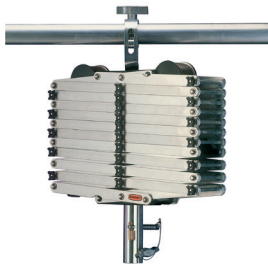
Photon Beard can design, supply, install and commission your suspension system from a simple individual luminaire to a fully motorised, memory controlled production studio with lighting hoists. We hold large stocks of Studio Rail and accessories at our UK factory. We are also able to offer all types of suspension solutions based around 48mm scaffold tubes. Designing a complete tracking system can be a difficult process, so why not allow Photon Beard to take the strain and send us a drawing of your studio - or even just the dimensions, including the height - and we can prepare a quotation to include all the items you will need for a safe and secure suspension system.

Pantographs and Barrel Trolleys

Pantographs

Doughty provides a range of 2 to 5 adjustable spring Pantographs. The Doughty spring Pantographs have been designed to be lightweight and compact, with strength, safety and ease of use being the main features. Loads from 5 to 36 Kg can be suspended from overhead tracks or barrels and quickly positioned with height ranges of 2.2 to 5m.

- Eight models, with travel ranges from 2.2 to 5 metres
- Comprehensive range of end fittings
- Easy to use, ergonomic design
- Very compact closed height
- Heavy gauge high tensile side arms
- Heavy duty cable clips to take one power lead plus one signal lead
- Two spring version available for 5 to 20 Kg SWL without the use of loose parts or separate spring assemblies
- For 5 to 12 Kg, third spring clips to 'park'. For 12 to 2 Kg clip on the third spring



Pantographs are fitted as standard with a Doughty Quick Receiver, which accepts and holds captive 28mm DIN or Euro spigots whilst allowing 360° rotation. Other fittings are also available

Max Extended Length	2 Spring SWL 12Kg	3Spring SWL 20Kg	4Spring SWL 27Kg	5Spring SWL 36Kg
2.20m	G1660	G1670	G1680	
3.00m	G1662	G1672	G1682	
4.00m	G1664	G1674	G1684	G1694
5.00m	G1666	G1676	G1686	G1696

Barrel Trolleys

Barrel Trolleys are normally used to suspend Pantographs from fixed or rolling pipe grids and barrel hoists. The new range of lightweight cast aluminium barrel trolleys from Doughty are designed to roll along 48 to 51mm diameter tubes. The trolleys are supplied as standard with a socket to accept TV spigots (28-29mm). Braked and Brakeless versions are available in crackle black powder paint.

- Lightweight rugged aluminium construction
- Easy to use, ergonomic design
- Very compact height dimension
- Conformal wheel design gives free rolling action
- Special version available for use with deep 'L' brackets
- Optional brake facility
- 75 Kg SWL
- Lightweight at 2.5 Kg

